



SC/APC-2SM
v1.0

SC/APC-2SM-single mode fiber optic adapter



Edition: 1 from 01.06.2017
Supercedes the edition: -----

EN



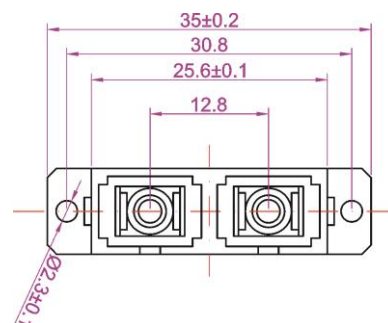
The SC/APC-2SM adapter

1. Technical description.

The SC/APC-2SM adapter (fiber optic barrel) is designed for connecting two pairs of SC/APC single-mode optical fibers. The connection uses pigtailed or optic patch cords.

Main features:

- Suitable for duplex single-mode SC / APC fiber optic cables,
- Ceramic ferrule (the front of the ferrule polished at an angle of 8 degrees),
- Mounting: snap-in mechanism and screw connection,
- Fits most fiber optic switchers and fiber optic patch panels,
- High quality material.



2. Technical parameters.

Code:	SC/APC-2SM
Connector type	SC/APC (duplex) - - - SC / APC (duplex)
The type of fiber optic cable	Single-mode
Dimensions: (diameter/length)	See Fig. 1
Net/gross weight	0,006 kg
Declarations, warranties	CE, one year from the date of manufacture

3. Application.

Adapters can be used in telecommunication enclosures fitted with holes for their installation. The snap-in mechanism simplifies the mounting process and reduces the time required for mounting of media enclosures.

Adapters are equally often used in mounting frames for RACK cabinets and fiber optic patch panels.

The adapters of this type can be mounted in two ways:

- a) Snap-in mechanism (quick installation).
- b) Screw connection (screws and cage nut included).



WEEE MARK

According to the EU WEE Directive – It is required not to dispose of electric or electronic waste as unsorted municipal waste and to collect such WEEE separately.

Pulsar

Siedlec 150, 32-744 Łapczyca, Polska
Tel. (+48) 14-610-19-40, Fax. (+48) 14-610-19-50
e-mail: biuro@pulsar.pl, sales@pulsar.pl
http:// www.pulsar.pl, www.zasilacze.pl